



**SSB302**

Preliminary

*ZCB snubber*

ZCB snubber

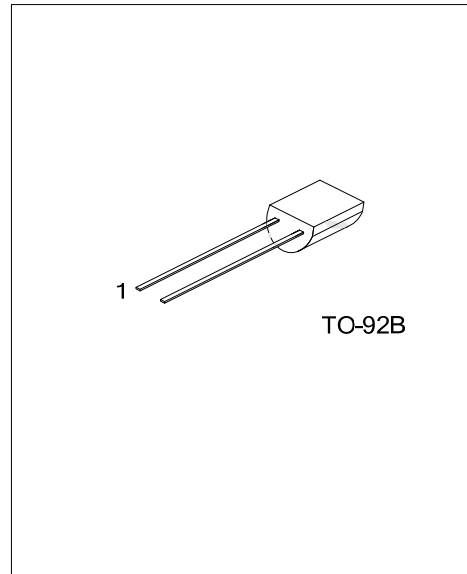
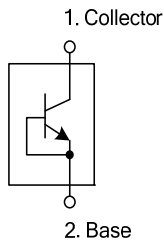
■ DESCRIPTION

The UTC **SSB302** is a ZCB snubbers.

■ FEATURES

- \* Collector-base voltage:  $V_{(BR)CB}=700V$
- \* Collector current:  $I_C=1.5A$

■ SYMBOL



■ ORDERING INFORMATION

Ordering Number		Package	Pin Assignment		Packing
Lead Free	Halogen Free		1	2	
SSB302L-T9B-B	SSB302G-T9B-B	TO-92B	C	B	Tape Box
SSB302L-T9B-K	SSB302G-T9B-K	TO-92B	C	B	Bulk

Note: Pin assignment: C: Collector B: Base

<p>SSB302L-T9B-B</p> <p>(1)Packing Type</p> <p>(2)Package Type</p> <p>(3)Lead Free</p>	<p>(1) B: Tape Box, K: Bulk</p> <p>(2) T9B: TO-92B</p> <p>(3) L: Lead Free, G: Halogen Free</p>
--	---

■ ABSOLUTE MAXIMUM RATINGS

PARAMETER	SYMBOL	RATINGS	UNIT
Breakdown Voltage	$V_{CB}$	700	V
Collector Current	$I_C$	1.5	A
Peak Forward Surge Current (8.3ms Single Half)	$I_{FSM}$	3	A
Collector Power Dissipation	$P_C$	750	mW
Junction Temperature	$T_J$	+150	°C
Storage Temperature	$T_{STG}$	-55 ~ +150	°C

Note: Absolute maximum ratings are those values beyond which the device could be permanently damaged.  
 Absolute maximum ratings are stress ratings only and functional device operation is not implied.

■ ELECTRICAL CHARACTERISTICS ( $T_A=25^\circ\text{C}$ , unless otherwise specified)

PARAMETER	SYMBOL	TEST CONDITIONS	MIN	TYP	MAX	UNIT
Breakdown Voltage	$V_{CB}$	$I_C=100\mu\text{A}$	700			V
Forward Voltage	$V_F$	$I_C=0.5\text{A}$		0.8		V
		$I_C=1\text{A}$		0.9		V
		$I_C=1.5\text{A}$		1.1	2.0	V
Reverse Current	$I_{CB}$	$C_B=700\text{V}$			1	$\mu\text{A}$

UTC assumes no responsibility for equipment failures that result from using products at values that exceed, even momentarily, rated values (such as maximum ratings, operating condition ranges, or other parameters) listed in products specifications of any and all UTC products described or contained herein. UTC products are not designed for use in life support appliances, devices or systems where malfunction of these products can be reasonably expected to result in personal injury. Reproduction in whole or in part is prohibited without the prior written consent of the copyright owner. The information presented in this document does not form part of any quotation or contract, is believed to be accurate and reliable and may be changed without notice.